

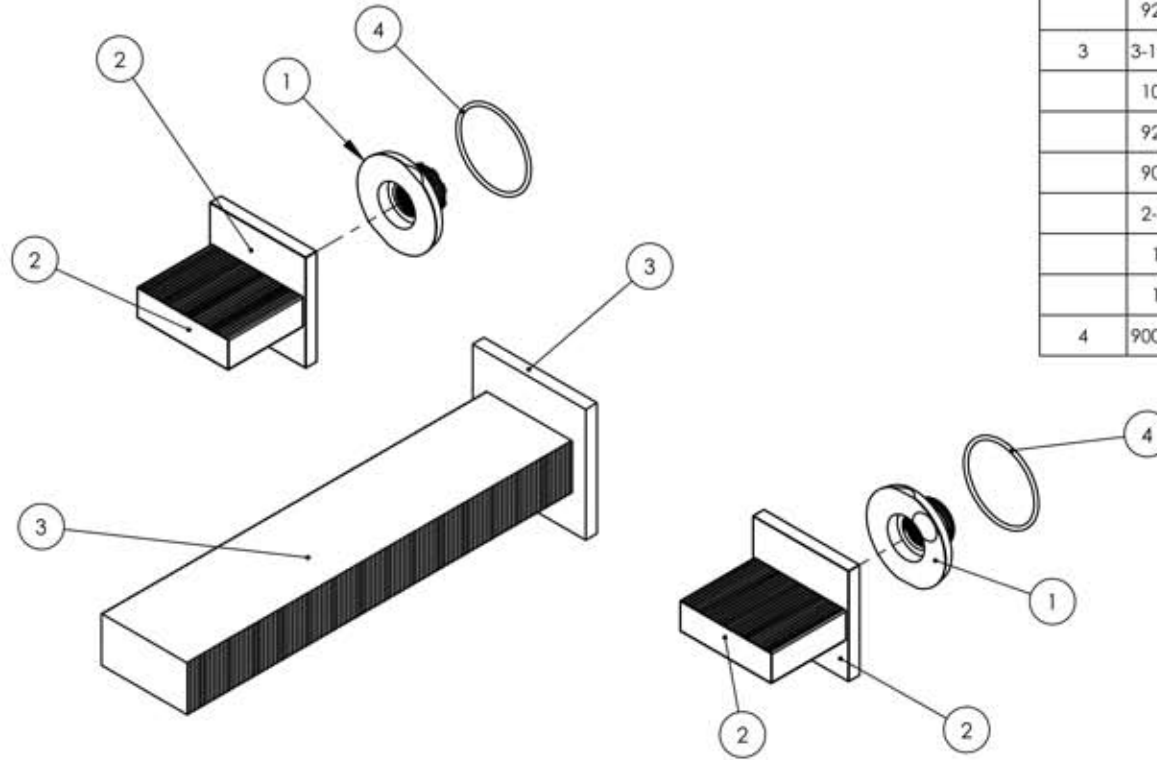
A

B

C

D

ITEM NO.	PART NUMBER	DESCRIPTION	QTY.
1	11003	SLEEVE MOUNT, WALL MT WIDESPREAD	2
2	3-108/00	ASSY. HANDLE RIBBED BLADE	2
	10937/00	ESCUTCHEON, HANDLE EDGE SERIES	1
	10927/00	HANDLE, BLADE EDGE SERIES	1
	92176	WEAR WASHER	2
	92005	SET SCREW, CUP PT 6-32UNC THREAD 3/16"L	1
	92177	RETAINING RING, 7/16" SHAFT	1
3	3-127/00	PB WALL TUB, 291 EDGE SERIES	1
	10939/00	ESCUTCHEON, WIDESPREAD	1
	92158	DOWEL PIN, 1/8" X 3/8"L	2
	90131	O-RING, 1-11/16ID X 3/32THK, AS-568-131	1
	2-096/00	SUB-ASSY, WALL LAV 291 EDGE SERIES	1
	11010/00	SPOUT, WALL MOUNT	1
	11002/00	NIPPLE, 1/2" BRAZE BUNG	1
4	90029	O-RING, 1-5/8"ID X 1-3/4"OD X 1/16"THK, AS-568-029	2



ZONE	REV.	DESCRIPTION	DATE	APPROVED
		REVISIONS		

1261 LOGAN AVENUE COSTA MESA, CALIFORNIA 92626 PHONE: 714.361.4800 FAX: 714.617.3120	PHYLORICH® Defining Luxury Since 1959	PROPRIETARY AND CONFIDENTIAL THE INFORMATION CONTAINED IN THIS DRAWING IS THE SOLE PROPERTY OF RSS MANUFACTURING. ANY REPRODUCTION IN PART OR AS A WHOLE WITHOUT THE WRITTEN PERMISSION OF RSS MANUFACTURING IS PROHIBITED.
---	---	---

-	-	INTERPRET GEOMETRIC DIMENSIONING & TOLERANCING IN ACCORDANCE WITH ASME Y14.5-2009 & ASME Y14.41-2003 STANDARDS, UNLESS OTHERWISE SPECIFIED. DIMENSIONS ARE IN INCHES. TOLERANCES ARE:
NEXT ASSY	USED ON	FRACTIONS ±1/64" DECIMALS X.X: ±.1 X.XX: ±.01 X.XXX: ±.005 ANGULAR ±.5°
APPLICATION		NAME DATE
MATERIAL		DRAWN 6/3/2013
FINISH		CHECKED
DO NOT SCALE DRAWING		

WALL TUB SET TRIM, BLADE HANDLE, STRIA SERIES

SIZE	ASM/PRT NO.	REV
A	291-56/00	
SCALE: 1:3	WEIGHT: lbs.	SHEET 1 OF 2

5

4

3

2

1